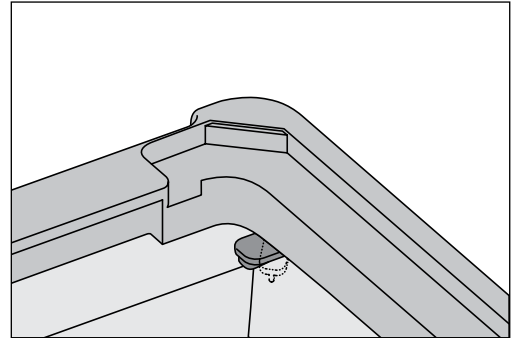
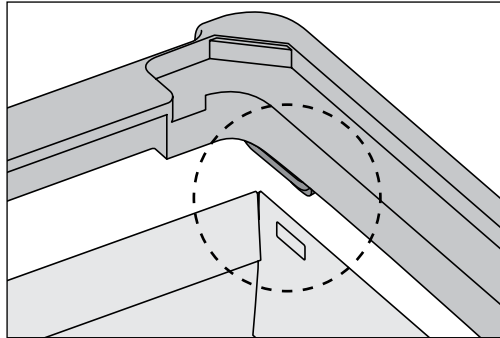
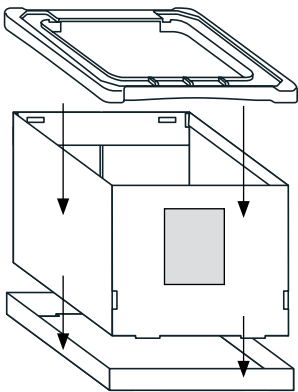
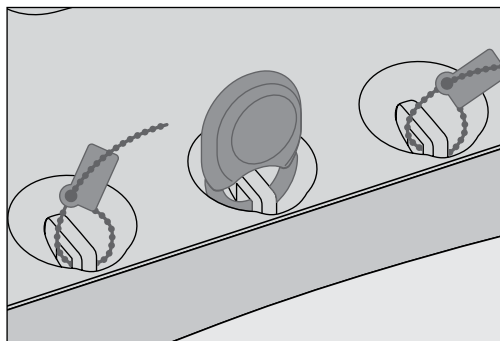
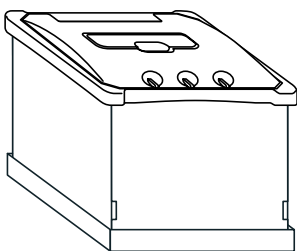


11

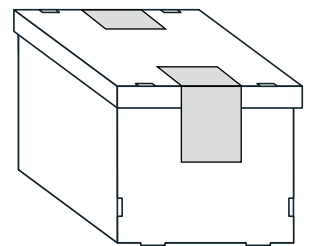


Apply identity labels to the cardboard box and box lid, then place the cardboard lid under the base of the box. Secure lid to base using the supplied bung mechanism. Place the plastic lid rim onto the top of the open box ensuring the lid catches and the box slots line up correctly. Rotate the four catches to lock the lid to the cardboard box.

12



After the election count the ballot papers are placed back in the box and the lid secured with the two yellow storage retention labels.



Slide the plastic lid onto the lid rim and secure with the tags and padlock provided.